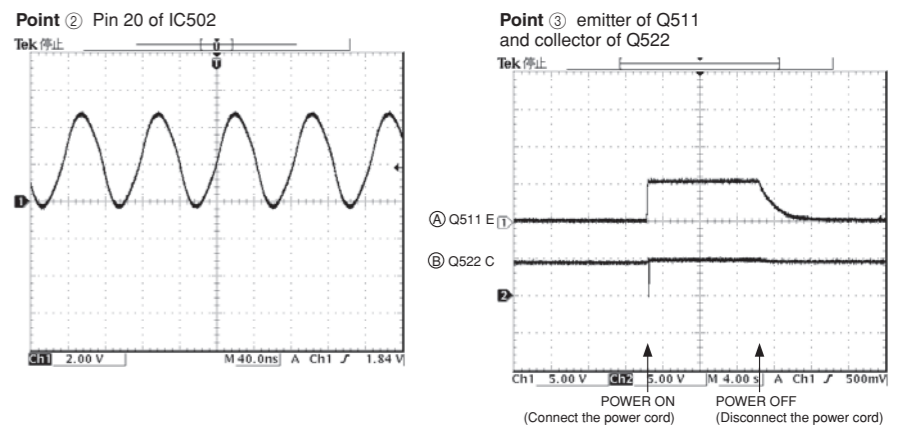
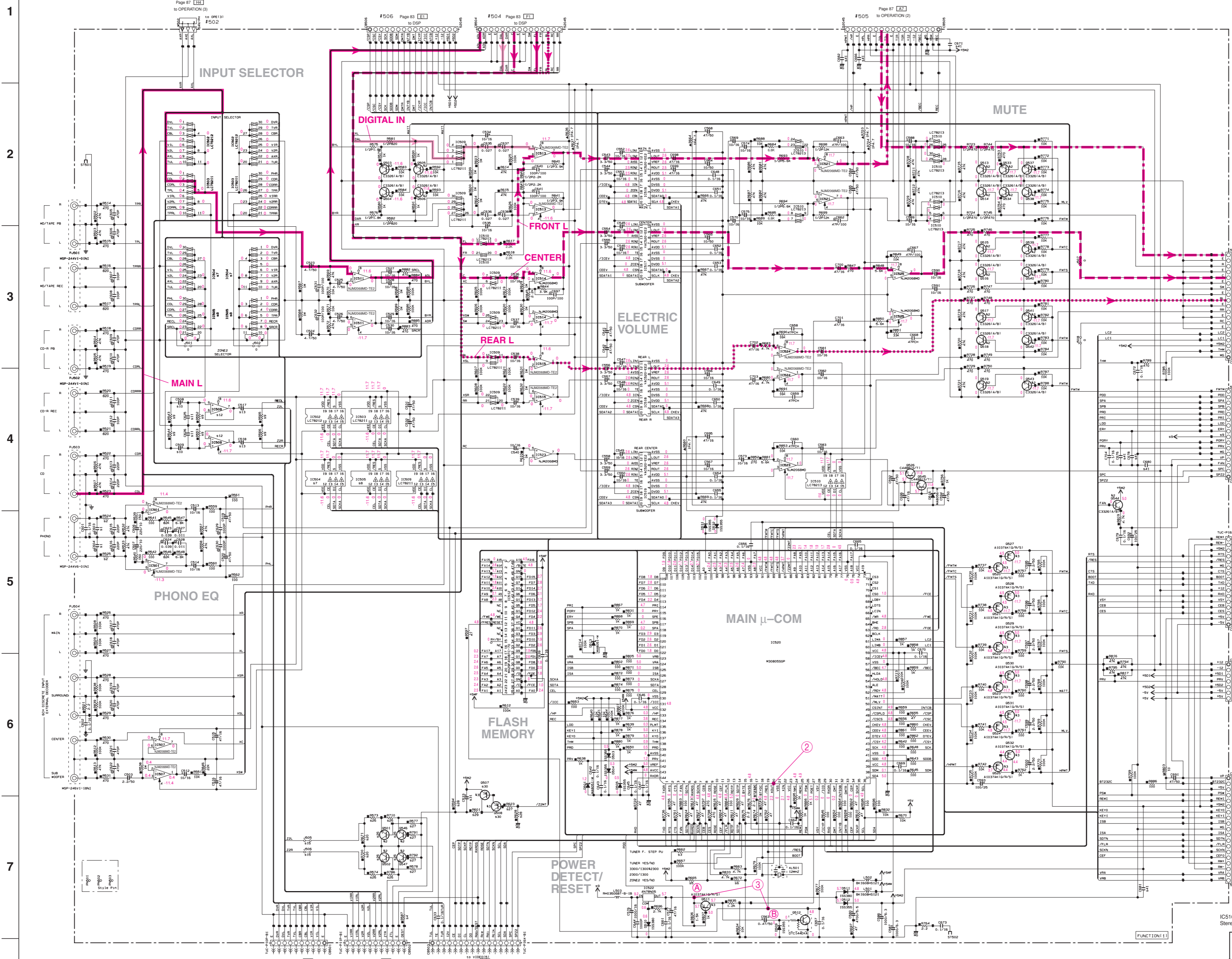


SCHEMATIC DIAGRAM (FUNCTION) RX-V1300/RX-V1300RDS/HTR-5590/DSP-AX1300

RX-V2300/DSP-AX2300/RX-V1300/RX-V1300RDS/HTR-5590/DSP-AX1300



IC Part No.	J	K	R	S	T	U	V	W	X	Y	Z	Other	Remarks
IC501, 507, 511, 513-515, 521, 523-525: NJM2068MD													Dual OP-Amp
IC502, 504: LC78212													Analog Function Switch
IC503, 509: LC78211													Analog Function Switch
IC505, 510: LC78213													Analog Function Switch
IC516-519, 526: YAC520-EE2													Stereo Digital Volume Controller
IC512: MX29F400BTC-70													4Mbit CMOS Flash Memory
IC522: AN78N05													Voltage Regulator

* NOT USED
○ USED / APPLICABLE

NOTICE (mode1)
 (J) JAPAN
 (U) U.S.A.
 (C) CANADA
 (R) GENERAL
 (T) CHINA
 (K) KOREA
 (A) AUSTRALIA
 (B) BRITISH
 (G) EUROPE
 (L) SINGAPORE

Interchangeable Parts at Manufacturer's Stage

Part No.	Part Name	Part No.	Part Name
11	RESISTOR	11	RESISTOR
12	CAPACITOR	12	CAPACITOR

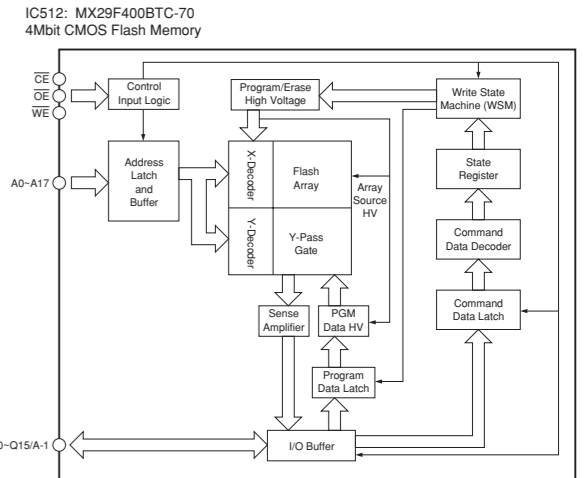
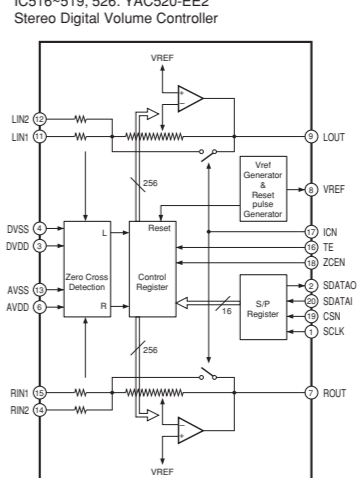
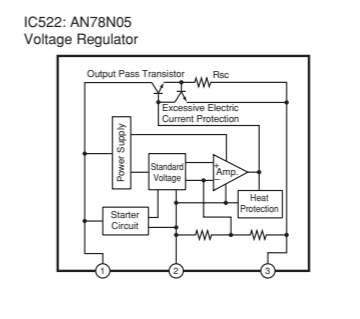
CAPACITOR

NO.	MARK	DESCRIPTION	REMARKS
1	NO MARK	TANTALUM CAPACITOR	
2	NO MARK	CERAMIC CAPACITOR	
3	NO MARK	CERAMIC TUBULAR CAPACITOR	
4	NO MARK	POLYESTER FILM CAPACITOR	
5	NO MARK	POLYPROPYLENE FILM CAPACITOR	
6	NO MARK	POLYBUTYLENE FILM CAPACITOR	
7	NO MARK	SEMICONDUCTIVE CERAMIC CAPACITOR	
8	NO MARK	POLYPHENYLENE SULFIDE FILM CAPACITOR	

RESISTOR

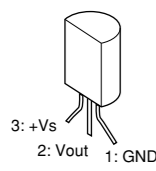
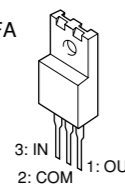
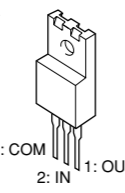
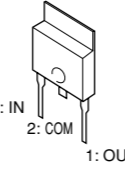
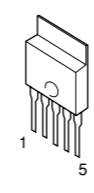
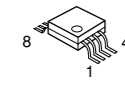
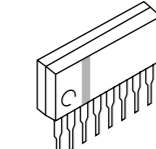
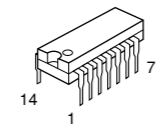
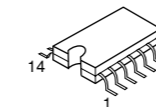
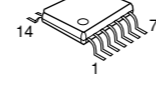
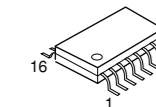
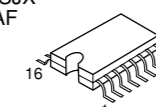
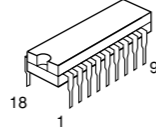
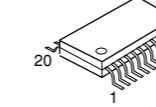
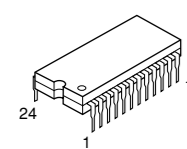
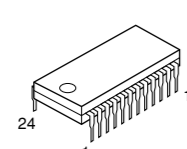
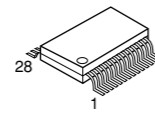
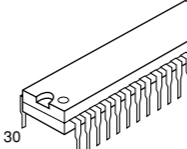
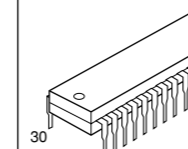
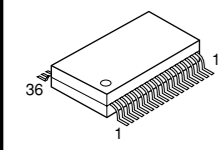
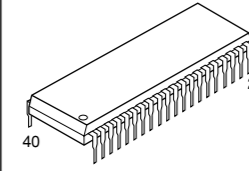
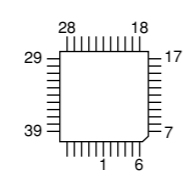
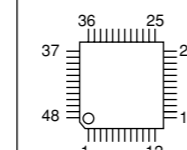
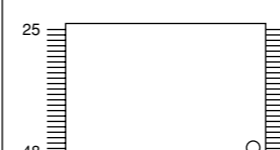
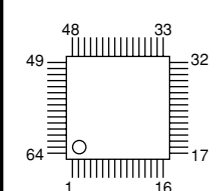
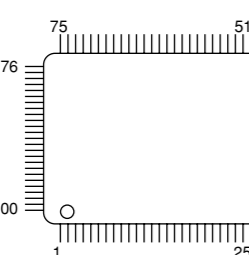
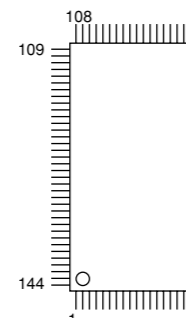
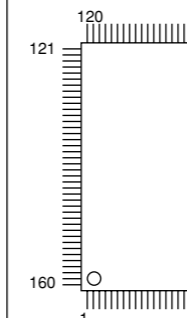
NO.	MARK	DESCRIPTION	REMARKS
1	NO MARK	CARBON FILM RESISTOR (P=1)	
2	NO MARK	CARBON FILM RESISTOR (P=10)	
3	NO MARK	METAL OXIDE FILM RESISTOR	
4	NO MARK	METAL PLATE RESISTOR	
5	NO MARK	FINE PITCH CARBON FILM RESISTOR	
6	NO MARK	CEMENT MOLDED RESISTOR	
7	NO MARK	SEMI-VARIABLE RESISTOR	
8	NO MARK	CHIP RESISTOR	

- All voltages are measured with a 10MΩ/V DC electric volt meter.
- Components having special characteristics are marked Δ and must be replaced with parts having specifications equal to those originally installed.
- Schematic diagram is subject to change without notice.
- 電圧は、内部抵抗10MΩの電圧計で測定したものです。
- Δ 印のある部品は、安全性確保部品を示しています。部品の交換が必要な場合、パーツリストに記載されている部品を使用してください。
- 本回路図は標準回路図です。改良のため予告なく変更することがございます。

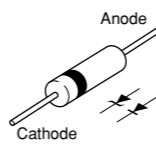
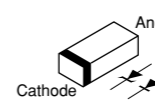
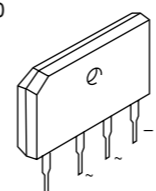
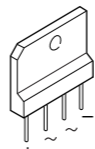


■ PIN CONNECTION DIAGRAM



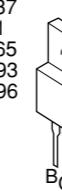
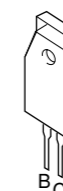
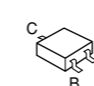
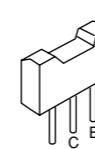
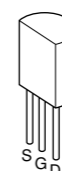
• ICs

<p>LM61CIZ</p>  <p>3: +Vs 2: Vout 1: GND</p>	<p>AN78N05 NJM7805FA NJM78M12FA</p>  <p>3: IN 2: COM 1: OUT</p>	<p>NJM79M05FA NJM79M12FA</p>  <p>3: COM 2: IN 1: OUT</p>	<p>μPC29M33T-E1</p>  <p>3: IN 2: COM 1: OUT</p>	<p>PQ025EZ5MZP</p>  <p>1 5</p>
<p>NJM2068MD NJM2904M TK15420M μPC4570G2</p>  <p>8 4 1</p>	<p>NJM4556AL</p>  <p>8</p>	<p>TC4066BP</p>  <p>14 1 7</p>	<p>TC74HCT00AF TC74HCU04AF TC74HCT08AF</p>  <p>14 1 7</p>	<p>NJM2581M TC4066BF-T1</p>  <p>14 1 7</p>
<p>ADM202JRN-REEL7 LA7108M M62320FP</p>  <p>16 1 8</p>	<p>MM74HC4051N MM74HC4051SJX MM74HC4053N MM74HC4053SJX TC74HC4052AF</p>  <p>16 1 8</p>	<p>BU2092</p>  <p>18 1 9</p>	<p>CS4392-KZR CS5360-KSR YAC520-EE2</p>  <p>20 1 10</p>	
<p>LC72722</p>  <p>24 1 12</p>	<p>LC74781-9798</p>  <p>24 1 12</p>	<p>CY62256LL</p>  <p>28 1 14</p>	<p>LC78211 LC78213</p>  <p>30 1 15</p>	<p>LC78212</p>  <p>30 1 15</p>
<p>LA7109</p>  <p>36 1 18</p>	<p>MSM514260E-60JS</p>  <p>40 1 20</p>	<p>CS493292-CLR</p>  <p>28 18 17 29 39 40 44 6 7</p>	<p>CS4382-KQR</p>  <p>36 25 24 37 48 1 12 13</p>	<p>MX29F400BTC-70</p>  <p>25 24 48 1</p>
<p>M66003-0101FP</p>  <p>48 33 32 49 64 1 16 17</p>	<p>XC9572XL-10TQ100C</p>  <p>75 51 50 76 100 1 25 26</p>	<p>M30805SGP</p>  <p>108 73 72 109 144 1 36 37</p>	<p>YSS938-F</p>  <p>120 81 80 121 160 1 40 41</p>	

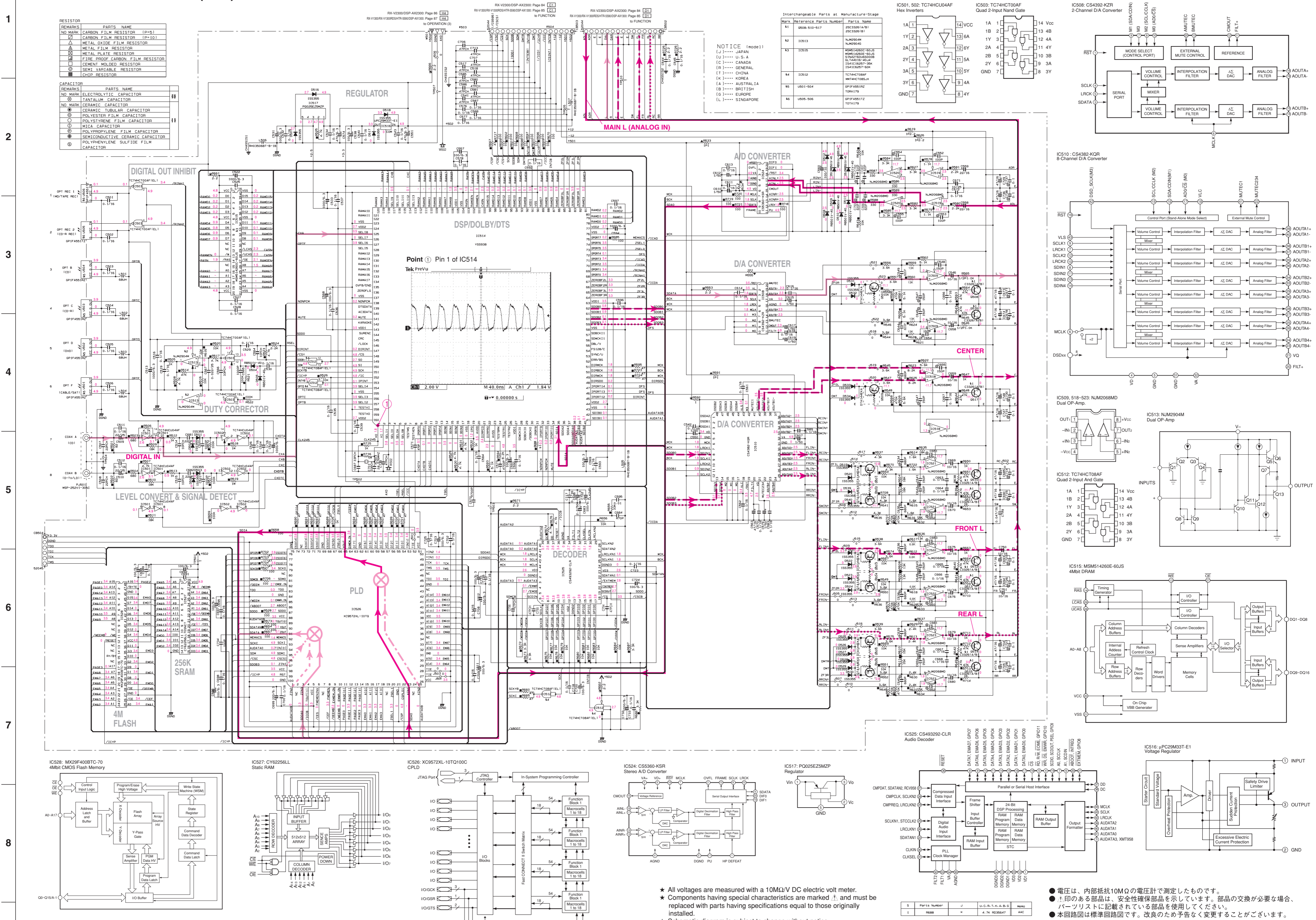
• Diodes

<p>1N4002S 1SS133 1SS270A 1T2</p>  <p>Anode Cathode</p>	<p>MTZJ4.7C MTZJ5.1A MTZJ6.2C MTZJ9.1A MTZJ10.0A MTZJ10.0B MTZJ12.0C MTZJ20.0C MTZJ24.0C MTZJ33.0B</p>	<p>1SS355 1SS380 MA8051-M MA8056-M MA8068-H MA8082-H RB501V-40 UDZS5.6BTE-17</p>  <p>Anode Cathode</p>
<p>D2SBA20</p> 	<p>D15XB20</p> 	

• Transistors

<p>2SA893A 2SA970 2SA1015 2SB949 2SC535 2SC1815 2SC1890A 2SC2240 2SC2878</p>  <p>E C B</p>	<p>2SC1740S 2SD1915F</p>  <p>E C B</p>	<p>2SA1837 2SB941 2SB1565 2SC4793 2SD2396</p>  <p>B C E</p>	<p>2SA1492 2SC3856</p>  <p>B C E</p>
<p>2SA1037K 2SC2412K 2SC3326 DTA144EKA DTC144EKA</p>  <p>C E B</p>	<p>2SA1708 2SC4488</p>  <p>E C B</p>	<p>2SK246</p>  <p>S G D</p>	

SCHEMATIC DIAGRAM (DSP)



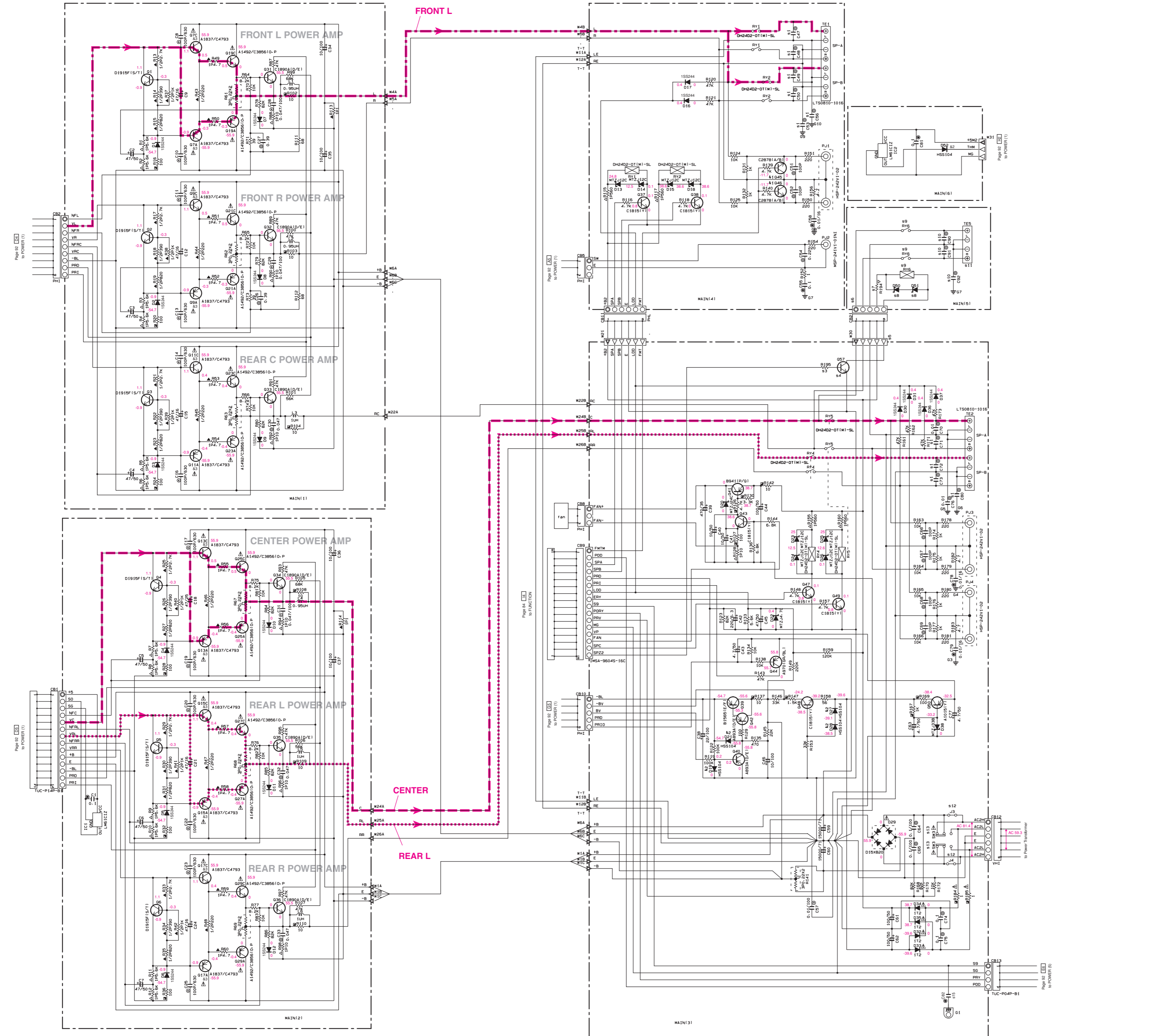
★ All voltages are measured with a 10MΩ/V DC electric volt meter.
 ★ Components having special characteristics are marked with a triangle (▲) and must be replaced with parts having specifications equal to those originally installed.
 ★ Schematic diagram is subject to change without notice.

● 電圧は、内部抵抗10MΩの電圧計で測定したものです。
 ● 1印のある部品は、安全性確保部品を示しています。部品の交換が必要な場合、パーツリストに記載されている部品を使用してください。
 ● 本回路図は標準回路図です。改良のため予告なく変更することがございます。

S	Part Number	J	U.S.	E.	T.	K.	A.	B.	WORLD
1	RES88								4, 7K, R035417 SAC

S	Part Number	J	U.S.	E.	T.	K.	A.	B.	WORLD
1	RES88								4, 7K, R035417 SAC

■ SCHEMATIC DIAGRAM (MAIN) RX-V2300/DSP-AX-2300



RESISTOR

REMARKS	PARTS NAME
NO MARK	CARBON FILM RESISTOR (P=5)
△	CARBON FILM RESISTOR (P=10)
□	METAL OXIDE FILM RESISTOR
▲	METAL FILM RESISTOR
⊠	METAL PLATE RESISTOR
■	FIRE PROOF CARBON FILM RESISTOR
□	CEMENT MOLDED RESISTOR
○	SEMI VARIABLE RESISTOR
■	CHIP RESISTOR

CAPACITOR

REMARKS	PARTS NAME
NO MARK	ELECTROLYTIC CAPACITOR
⊗	TANTALUM CAPACITOR
NO MARK	CERAMIC CAPACITOR
⊙	CERAMIC TUBULAR CAPACITOR
⊖	POLYESTER FILM CAPACITOR
○	POLYSTYRENE FILM CAPACITOR
⊕	MICA CAPACITOR
⊖	POLYPROPYLENE FILM CAPACITOR
⊙	SEMICONDUCTIVE CERAMIC CAPACITOR

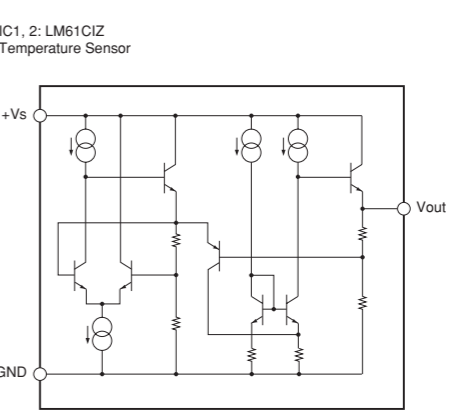
NOTICE (mode1)
 (J)..... JAPAN
 (U)..... U.S.A
 (C)..... CANADA
 (R)..... GENERAL
 (T)..... CHINA
 (K)..... KOREA
 (A)..... AUSTRALIA
 (B)..... BRITISH
 (G)..... EUROPE
 (L)..... SINGAPORE

PART NO.	DSP-AK2300		RX-V2300	
	U-C	R.T.K	U-C	R.T.K
s1	C47, C48, C49, C50	x	0.01	U465410
	C53, C56, C71	x	U465410	U465410
	C72, C73, C80			
s3	R195	x	4.7K	WF2647
s4	D07	x	C18151V1	C18151V1
			IC18151	IC18151
s5	W30	x	V992050	V992050
s6	CB21	x	L891805	L891805
			IP650	IP650
s7	R194	x	V94930	V94930
			WT110	WT110
s8	D50, D51	x	V54430	V54430
			DH242-OT1M1-SL	DH242-OT1M1-SL
s9	RV6	x	V53260	V53260
s10	C90, C91, C92	x	0.01	U465410
s11	TE5	x	L150410-3012	L150410-3012
			V465410	V465410
s12	J7, J4	o	x	x
s13	SW3	x	SL138-022-AMCS	SL138-022-AMCS
			V410400	V410400
s14	R102, 103	HV10	HV10	HV75347
			7.5	HV75347
s15	CS2	x	0	V20910

x: NOT USED
 o: USED/APPLICABLE

Interchangeable Parts at Manufacture-Stage

Part No.	Reference Parts Number	Parts Name
s1	045, 46	25C28781A/01 25D1915F15/11
s2	D19, 21, 27, 28, 52	H55104 155133 155176
s3	07, 9, 11, 13, 15, 17	A1837C4793 A1855AC4834

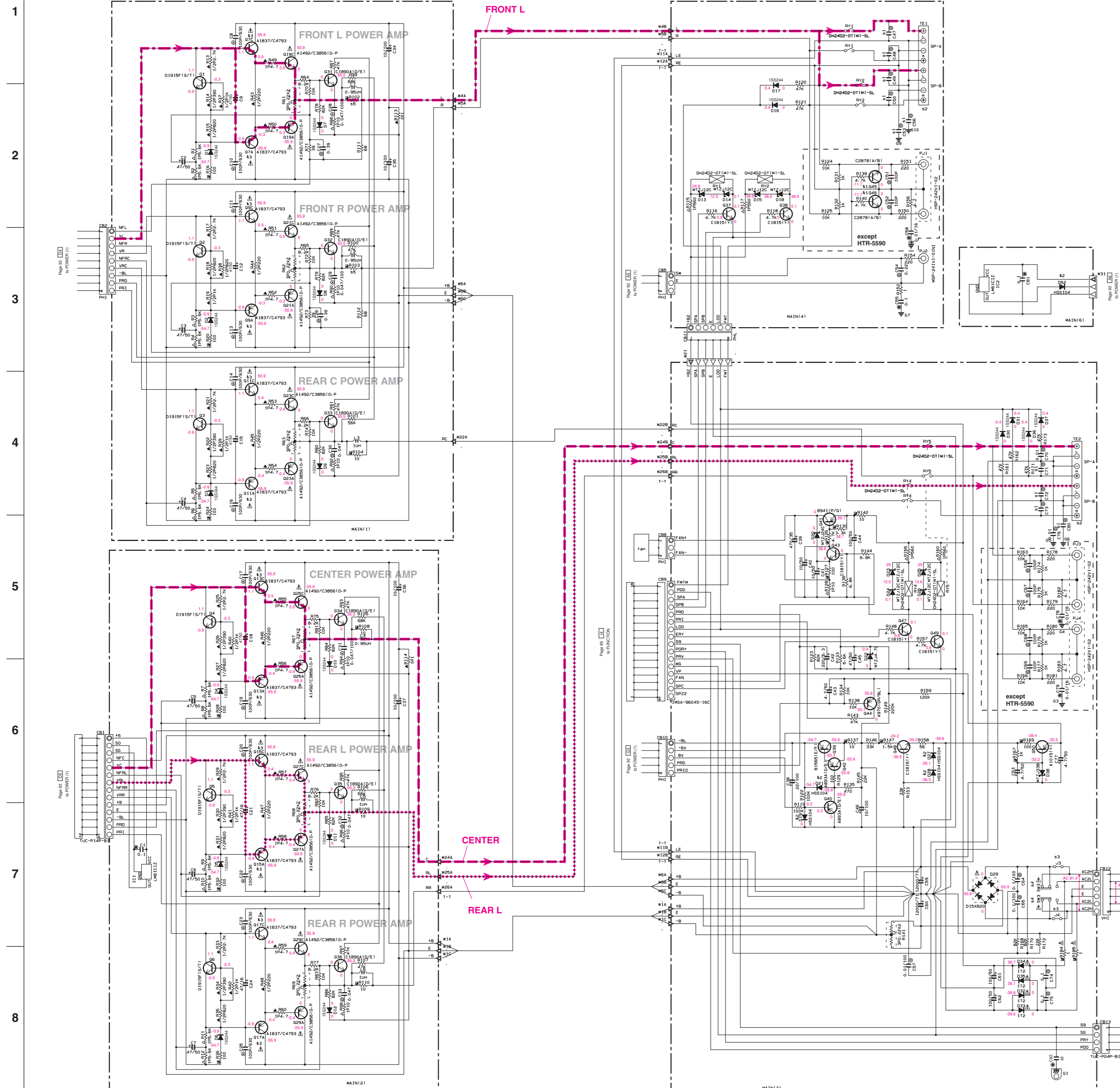


★ All voltages are measured with a 10MΩ/V DC electric volt meter.
 ★ Components having special characteristics are marked △ and must be replaced with parts having specifications equal to those originally installed.
 ★ Schematic diagram is subject to change without notice.

● 電圧は、内部抵抗10MΩの電圧計で測定したものです。
 ● △印のある部品は、安全性確保部品を示しています。部品の交換が必要な場合、パーツリストに記載されている部品を使用してください。
 ● 本回路図は標準回路図です。改良のため予告なく変更することがございます。

SCHEMATIC DIAGRAM (MAIN) RX-V1300/RX-V1300RDS/HTR-5590/DSP-AX1300

RX-V2300/DSP-AX2300/RX-V1300/RX-V1300RDS/HTR-5590/DSP-AX1300



RESISTOR

REMARKS	PARTS NAME
NO MARK	CARBON FILM RESISTOR (P=5)
□	CARBON FILM RESISTOR (P=10)
△	METAL OXIDE FILM RESISTOR
▲	METAL FILM RESISTOR
⊠	METAL PLATE RESISTOR
■	FIRE PROOF CARBON FILM RESISTOR
□	CEMENT MOLDED RESISTOR
⊕	SEMI VARIABLE RESISTOR
■	CHIP RESISTOR

CAPACITOR

REMARKS	PARTS NAME
NO MARK	ELECTROLYTIC CAPACITOR
⊗	TANTALUM CAPACITOR
NO MARK	CERAMIC CAPACITOR
⊙	CERAMIC TUBULAR CAPACITOR
○	POLYSTYRENE FILM CAPACITOR
⊖	MICA CAPACITOR
⊕	POLYPROPYLENE FILM CAPACITOR
●	SEMICONDUCTIVE CERAMIC CAPACITOR

NOTICE (mode)

(J)..... JAPAN
 (U)..... U.S.A
 (C)..... CANADA
 (R)..... GENERAL
 (T)..... CHINA
 (K)..... KOREA
 (A)..... AUSTRALIA
 (B)..... BRITISH
 (G)..... EUROPE
 (L)..... SINGAPORE

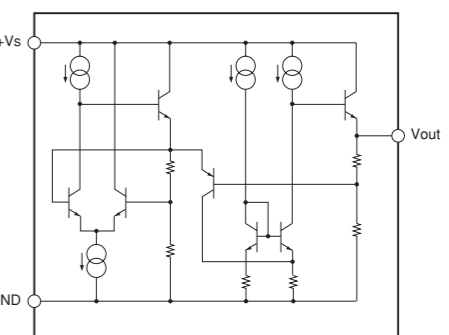
	DSP-AX1300	RX-V1300RDS	RX-V1300RDS
R1	C47, C48, C49, C50	U-C	R, T, K, A
R2	C51, C56, C71, C72, C73, C80	X	Q, B1, U455410
R3	L75010-1016, V949900	L75010-1016, V949900	L75010-1016, V949900
R4	J3, J4	X	X
R5	SW3	SL138-022-AMCS, V210420	SL138-022-AMCS, V410420
R6	R102, 103	10, HY75410	10, HY75410
R7	C82	X	V, S95910

X: NOT USED
 O: USED / APPLICABLE

Interchangeable Parts at Manufacture-Stage

Mark	Reference Parts Number	Parts Name
R1	045-46	2SC28781A/91, 2SD1919F1S/71
R2	019-21-27-28-52	H55104, 1S5133, 1S5176
R3	07-9-11-13-15-17	A1837/C4793, A1899A/C4834

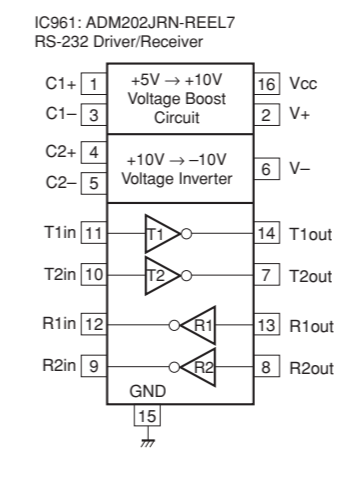
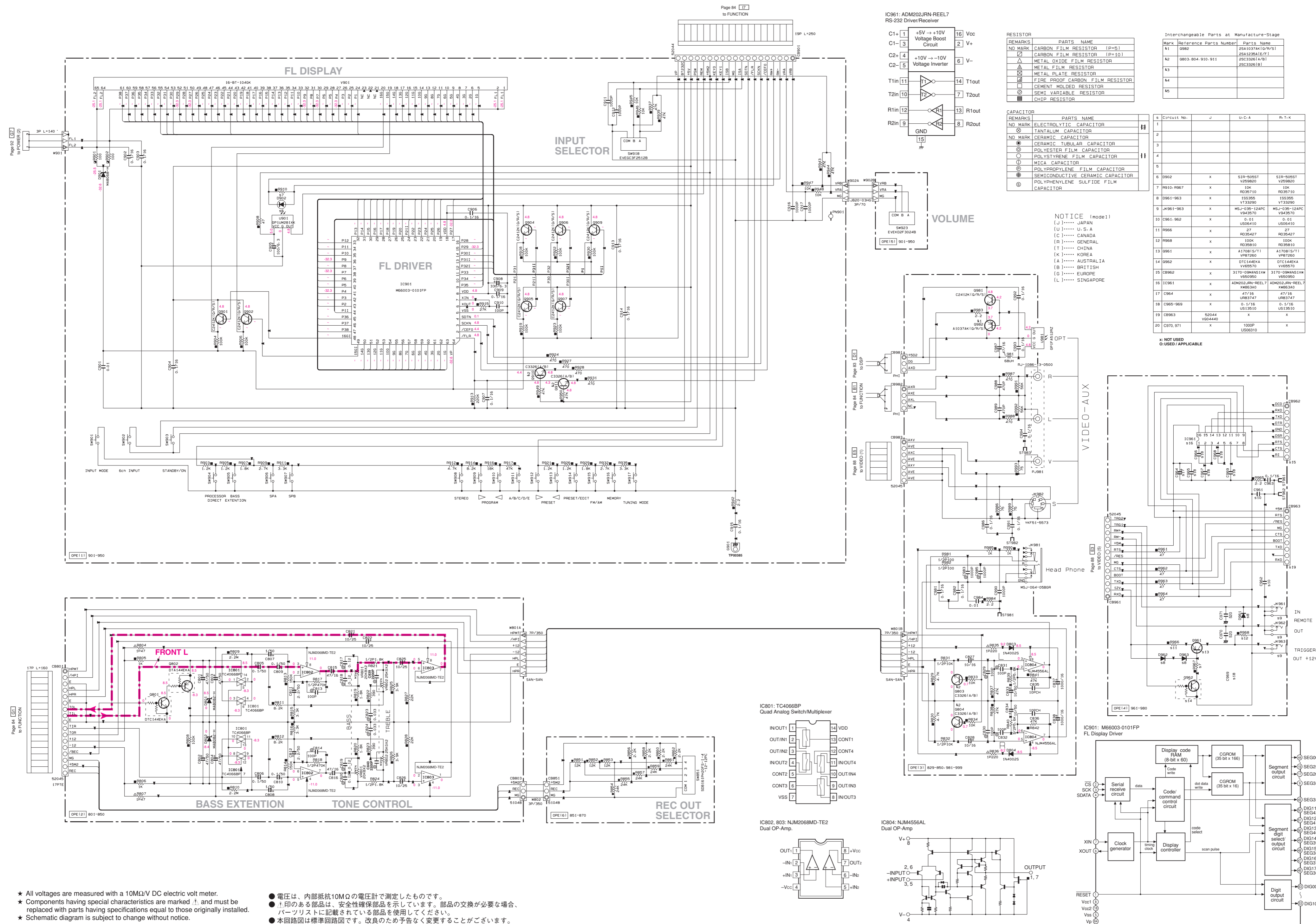
IC1, 2: LM61C1Z
 Temperature Sensor



- All voltages are measured with a 10MΩ/V DC electric volt meter.
- Components having special characteristics are marked with a triangle and must be replaced with parts having specifications equal to those originally installed.
- Schematic diagram is subject to change without notice.

- 電圧は、内部抵抗10MΩの電圧計で測定したものです。
- △印のある部品は、安全性確保部品を示しています。部品の交換が必要な場合、パーツリストに記載されている部品を使用してください。
- 本回路図は標準回路図です。改良のため予告なく変更することがございます。

SCHEMATIC DIAGRAM (OPERATION) RX-V2300/DSP-AX-2300



RESISTOR

REMARKS	PARTS NAME
NO MARK	CARBON FILM RESISTOR (P=5)
△	CARBON FILM RESISTOR (P=10)
□	METAL OXIDE FILM RESISTOR
◇	METAL FILM RESISTOR
○	FINE DRDOP CARBON FILM RESISTOR
□	CEMENT MOLDED RESISTOR
◇	SEMI VARIABLE RESISTOR
■	CHIP RESISTOR

Interchangeable Parts at Manufacture Stage

Mark	Reference Parts Number	Parts Name
k1	0982	25A1337A1(D/P/S1)
k2	0803, 804, 910, 911	25A1235A1E(F/1)
k3		25C3261A/B1
k4		25C3261B1
k5		

CAPACITOR

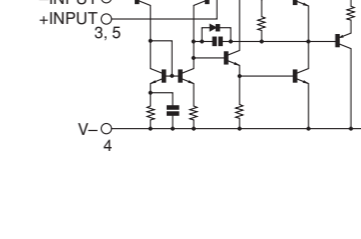
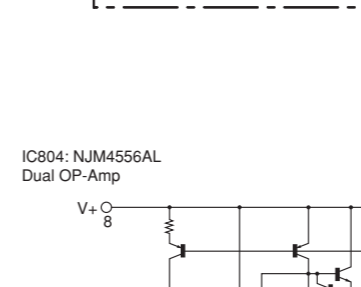
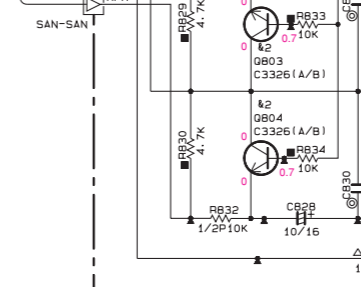
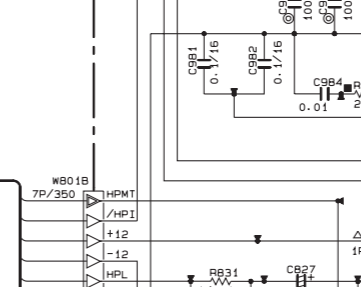
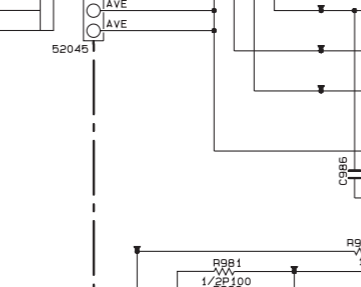
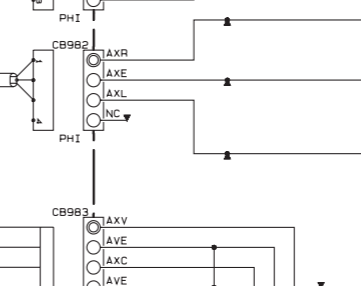
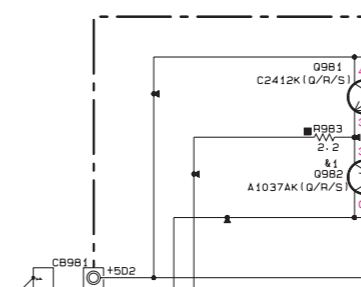
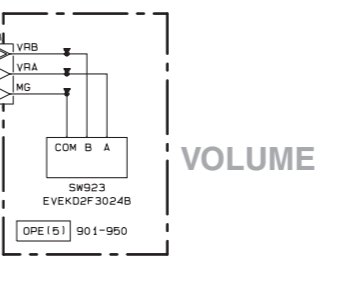
REMARKS	PARTS NAME
NO MARK	ELECTROLYTIC CAPACITOR
⊗	TANTALUM CAPACITOR
○	CERAMIC CAPACITOR
⊙	CERAMIC TUBULAR CAPACITOR
⊕	POLYESTER FILM CAPACITOR
⊖	POLYSTYRENE FILM CAPACITOR
⊗	MICA CAPACITOR
⊕	POLYPROPYLENE FILM CAPACITOR
⊖	SEMICONDUCTIVE CERAMIC CAPACITOR
⊙	POLYPHENYLENE SULFIDE FILM CAPACITOR

NOTICE (mode1)

(J)..... JAPAN
(U)..... U.S.A
(C)..... CANADA
(R)..... GENERAL
(T)..... CHINA
(K)..... KOREA
(A)..... AUSTRALIA
(B)..... BRITISH
(G)..... EUROPE
(L)..... SINGAPORE

Part No.	U.C.A	R.T.K
1		
2		
3		
4		
5		
6	D902	X
7	R910-R967	X
8	D961-963	X
9	JK961-963	X
10	C961, 962	X
11	R966	X
12	R968	X
13	D961	X
14	D962	X
15	C962	X
16	IC961	X
17	C964	X
18	C965-969	X
19	C963	X
20	C970, 971	X

⊕: NOT USED
⊖: USED / APPLICABLE



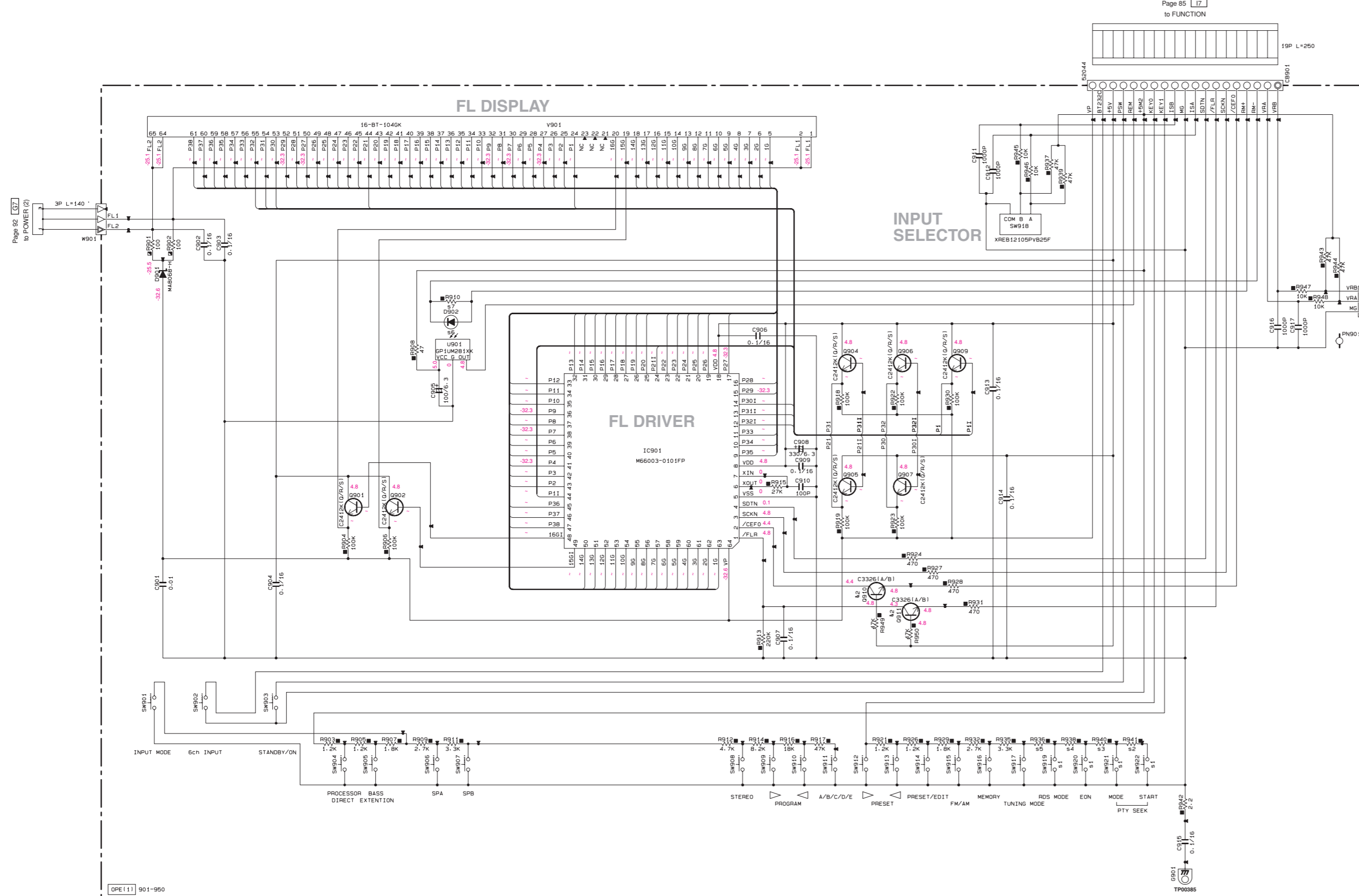
★ All voltages are measured with a 10MΩ/V DC electric volt meter.
★ Components having special characteristics are marked Δ and must be replaced with parts having specifications equal to those originally installed.
★ Schematic diagram is subject to change without notice.

● 電圧は、内部抵抗10MΩの電圧計で測定したものです。
● Δ 印のある部品は、安全性確保部品を示しています。部品の交換が必要な場合、パーツリストに記載されている部品を使用してください。
● 本回路図は標準回路図です。改良のため予告なく変更することがございます。

SCHEMATIC DIAGRAM (OPERATION) RX-V1300/RX-V1300RDS/HTR-5590/DSP-AX1300

RX-V2300/DSP-AX2300/RX-V1300/RX-V1300RDS/HTR-5590/DSP-AX1300

Page 85 to FUNCTION



REMARKS	PARTS NAME
NO MARK	CARBON FILM RESISTOR (P=5)
△	CARBON FILM RESISTOR (P=10)
▲	METAL OXIDE FILM RESISTOR
▴	METAL FILM RESISTOR
□	METAL PLATE RESISTOR
▤	FIRE-PROOF CARBON FILM RESISTOR
▥	CEMENT MOLDED RESISTOR
▦	SEMI-VARIABLE RESISTOR
■	CHIP RESISTOR

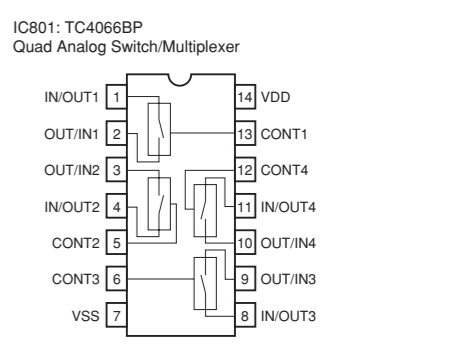
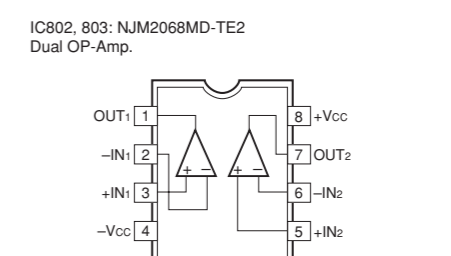
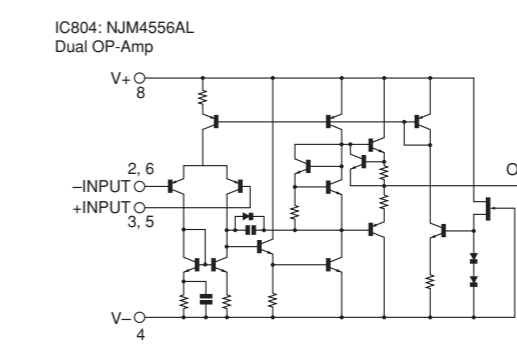
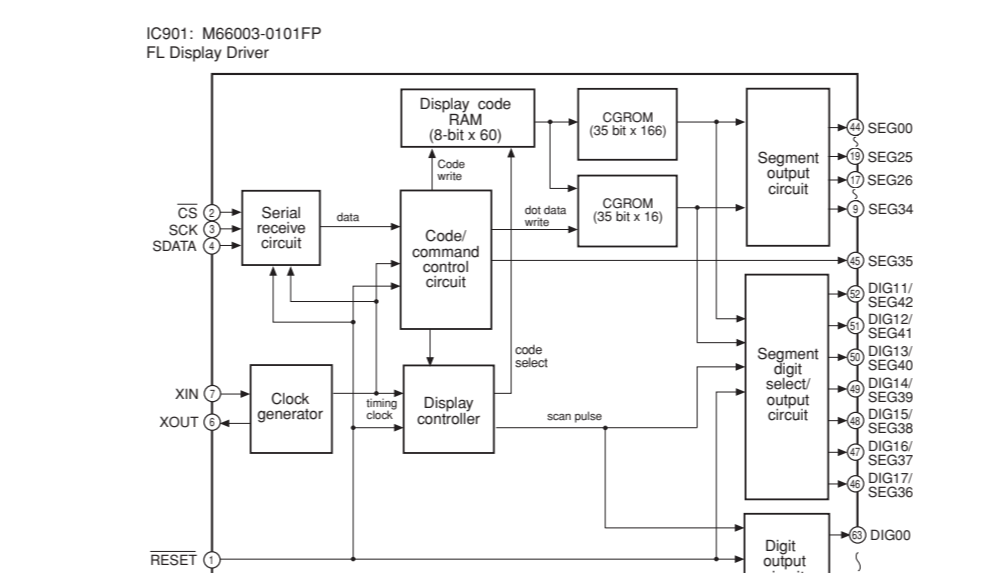
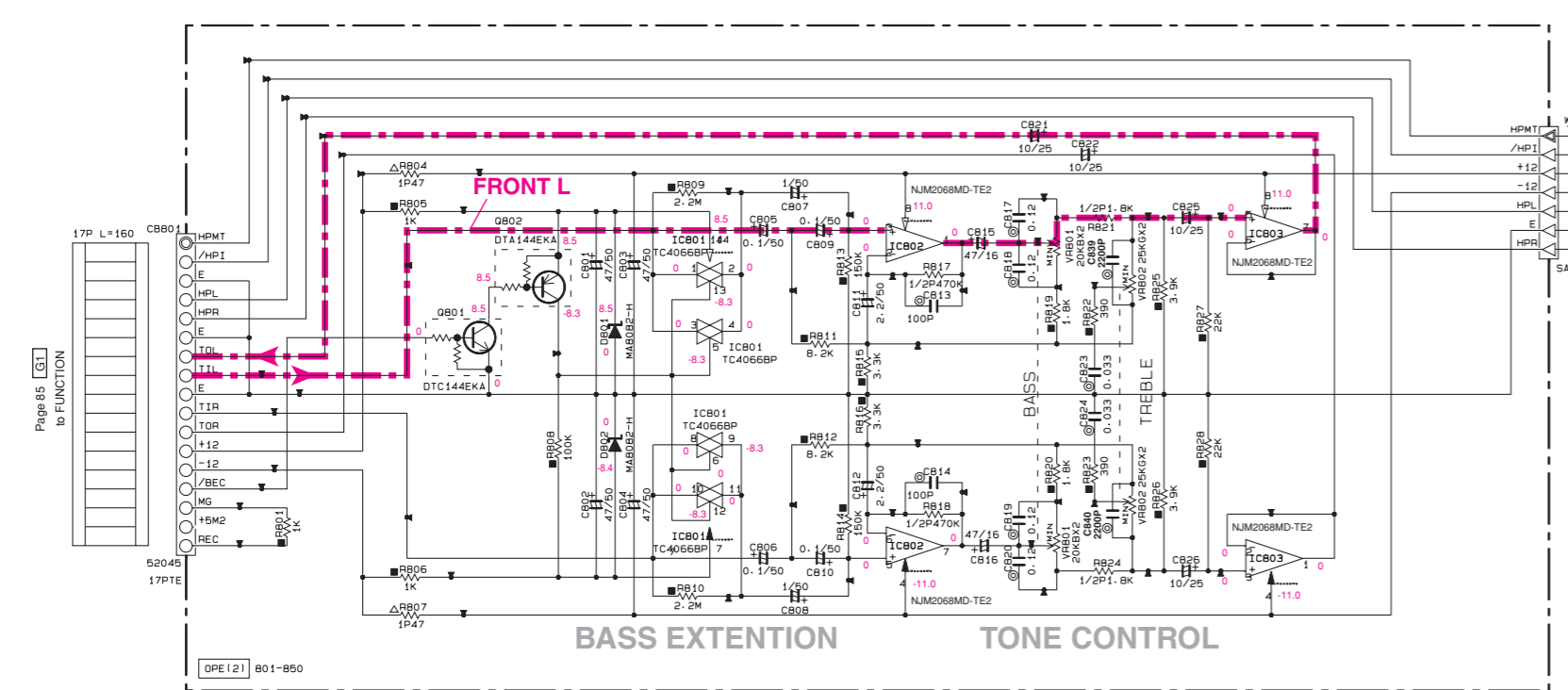
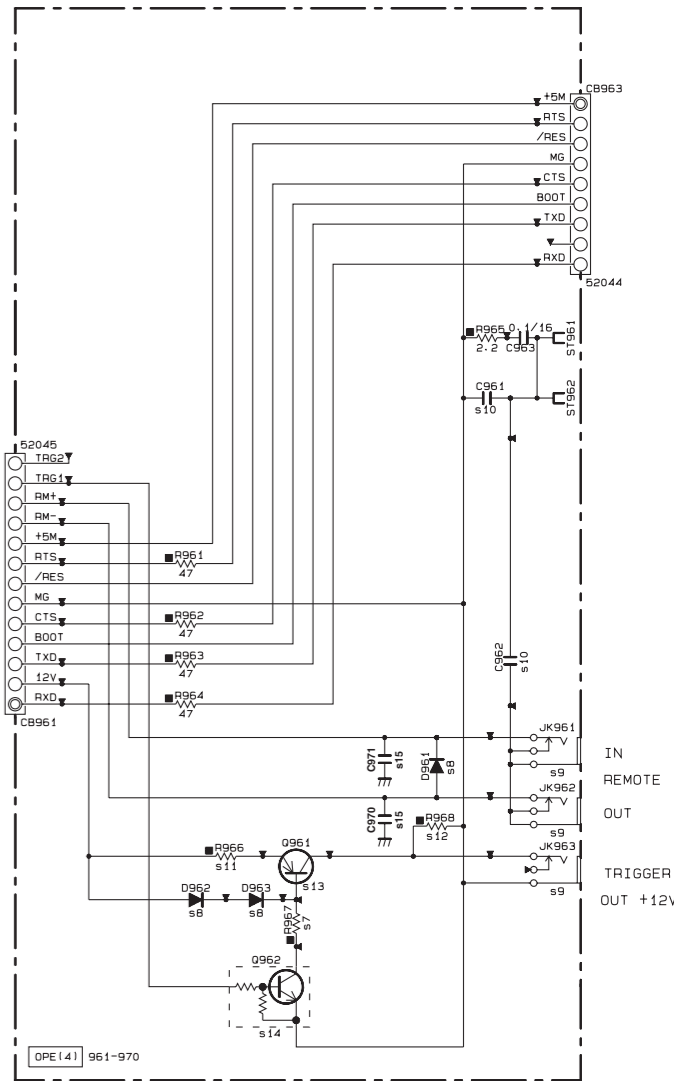
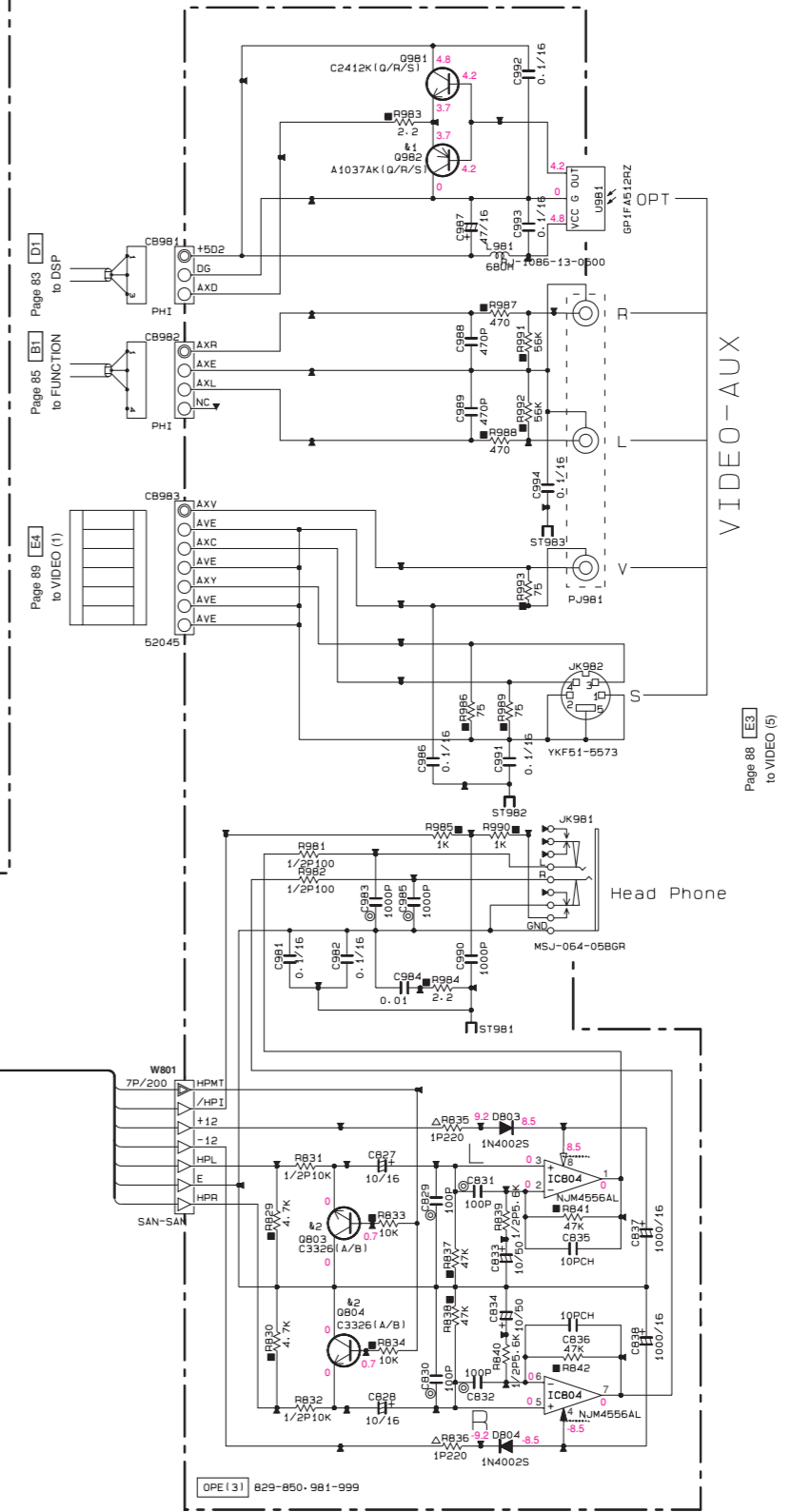
Mark	Reference Parts Number	Parts Name
K1	0982	25A1037AK1G/R/S1
K2	0903.004.910.911	25C1239A1E/F1
K3		25C13261A/R1
K4		25C33261B1
K5		

REMARKS	PARTS NAME
NO MARK	ELECTROLYTIC CAPACITOR
⊗	TANTALUM CAPACITOR
○	CERAMIC CAPACITOR
⊙	CERAMIC TUBULAR CAPACITOR
○	POLYESTER FILM CAPACITOR
○	POLYPROPYLENE FILM CAPACITOR
○	MICA CAPACITOR
○	POLYPROPYLENE FILM CAPACITOR
○	SEMICONDUCTIVE CERAMIC CAPACITOR
○	POLYPHENYLENE SULFIDE FILM CAPACITOR

Mark	Circuit No.	J-R-T-K	U-C-A	B-G
1	SW19-922	X	X	V475710
2	R941	X	X	47K RD36747
3	R940	X	X	18K RD35719
4	R938	X	X	5.2K RD35682
5	R936	X	X	4.7K RD35682
6	D902	X	S1R-5085T V259820	X
7	R910-R967	X	10K RD35710	X
8	D961-963	X	153395 Y133950	X
9	JK961-963	X	MSJ-096-1240C V943570	X
10	C961-C962	X	100P US06410	X
11	R966	X	27 RD35427	X
12	R968	X	100K RD35810	X
13	D961	X	A170815/771 V97860	X
14	D962	X	OTC14EKA VV69570	X
15	C970, 971	X	100P US06310	X

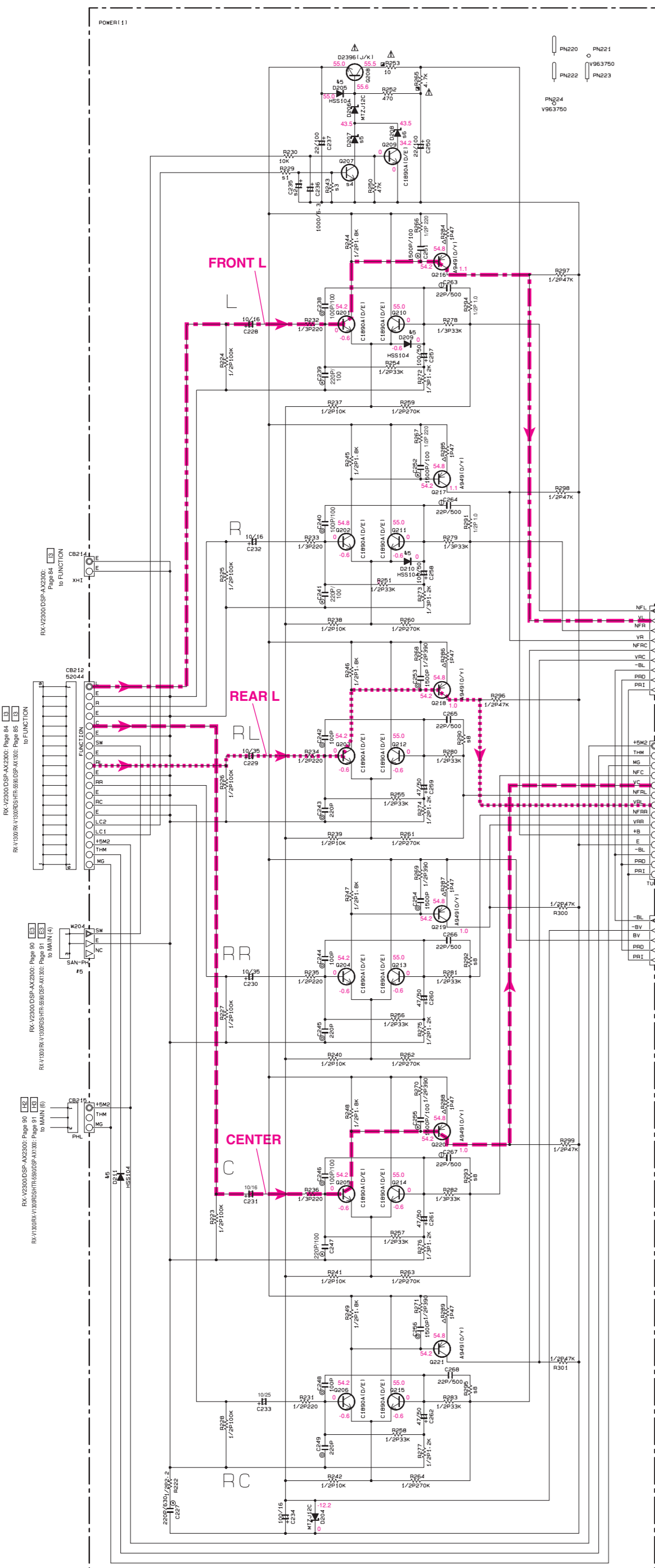
X: NOT USED
O: USED / APPLICABLE

NOTICE (model)
(J)..... JAPAN
(U)..... U.S.A
(C)..... CANADA
(R)..... GENERAL
(T)..... CHINA
(K)..... KOREA
(A)..... AUSTRALIA
(B)..... BRITISH
(G)..... EUROPE
(L)..... SINGAPORE



- ★ All voltages are measured with a 10MΩ/V DC electric volt meter.
- ★ Components having special characteristics are marked △ and must be replaced with parts having specifications equal to those originally installed.
- ★ Schematic diagram is subject to change without notice.
- 電圧は、内部抵抗10MΩの電圧計で測定したものです。
- △印のある部品は、安全性確保部品を示しています。部品の交換が必要な場合、パーツリストに記載されている部品を使用してください。
- 本回路図は標準回路図です。改良のため予告なく変更することがございます。

SCHEMATIC DIAGRAM (POWER)



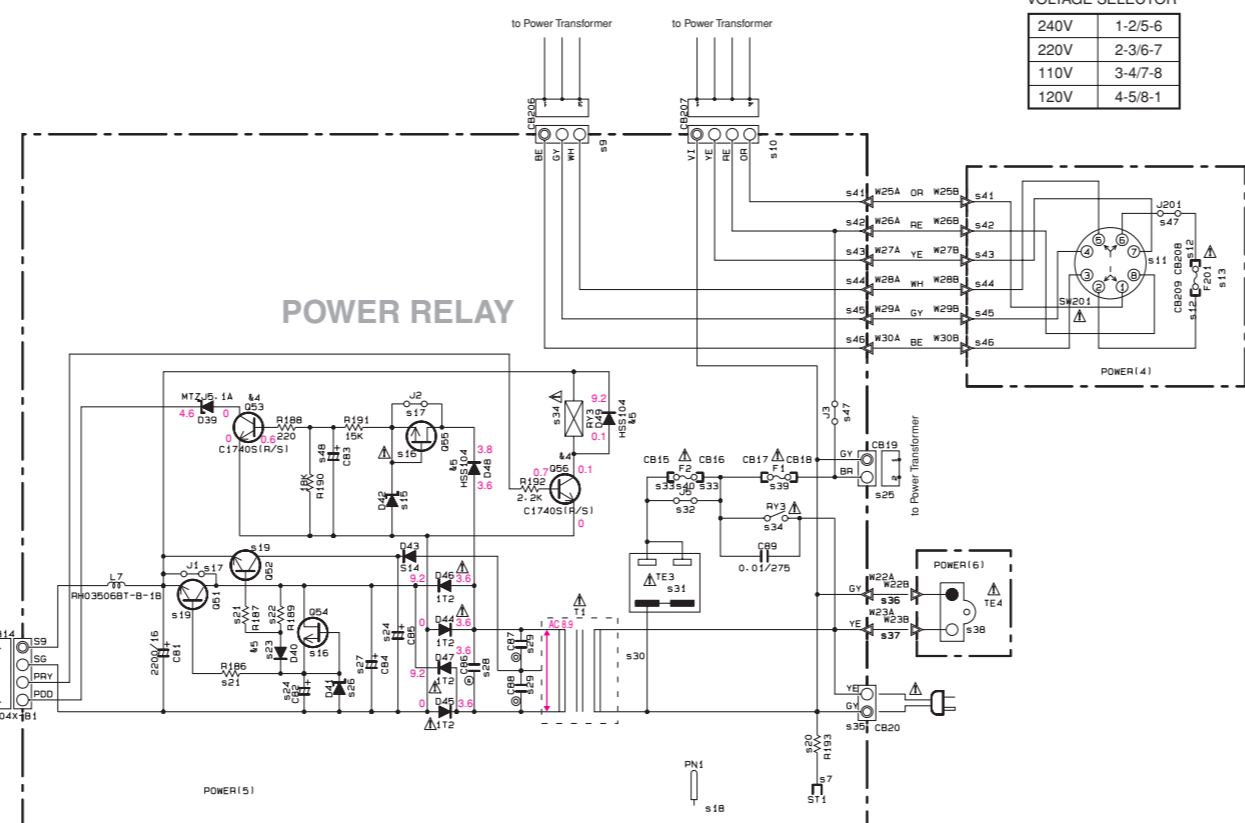
RESISTOR

REMARKS	PARTS NAME
NO MARK	CARBON FILM RESISTOR (P=5)
□	CARBON FILM RESISTOR (P=10)
△	METAL OXIDE FILM RESISTOR
▲	METAL FILM RESISTOR
⊠	METAL PLATE RESISTOR
▨	FINE PROOF CARBON FILM RESISTOR
■	CEMENT MOUNTED RESISTOR
◇	SEMI VARIABLE RESISTOR
●	CHIP RESISTOR

CAPACITOR

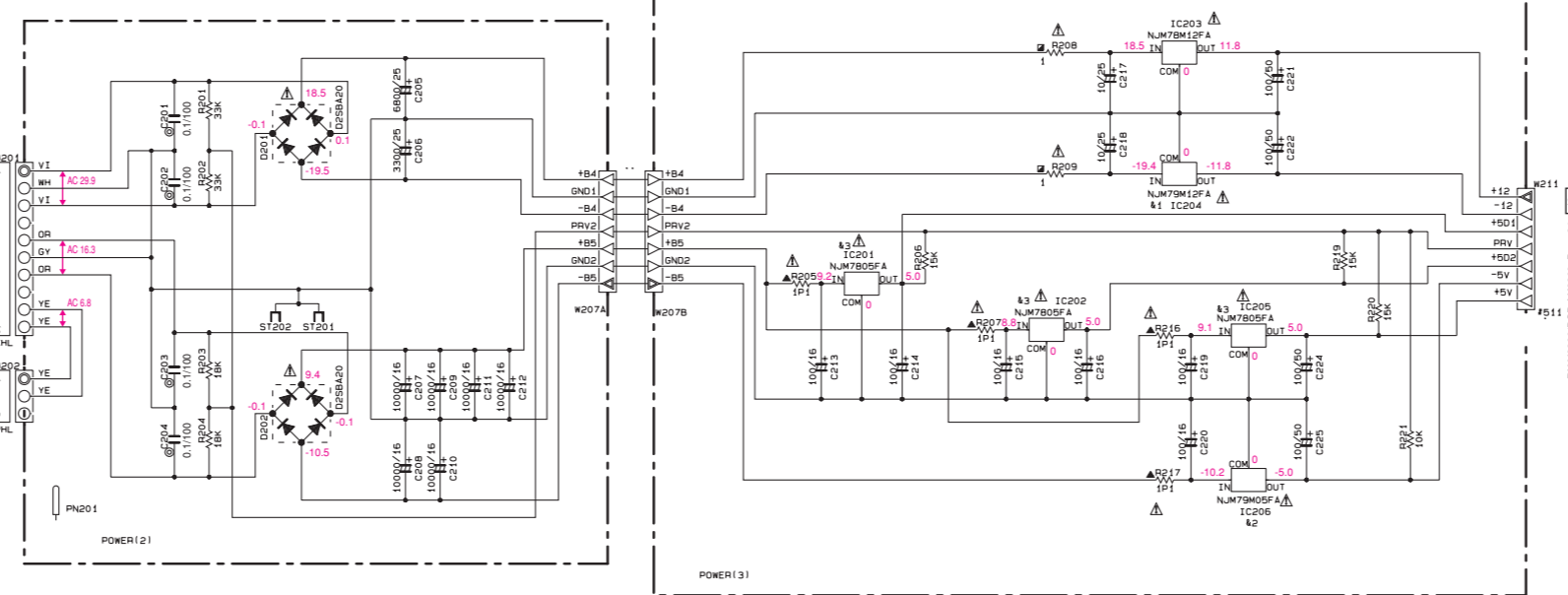
REMARKS	PARTS NAME
○	ELECTROLYTIC CAPACITOR
⊖	TANTALUM CAPACITOR
NO MARK	CERAMIC CAPACITOR
⊙	CERAMIC TUBULAR CAPACITOR
⊕	POLYESTER FILM CAPACITOR
○	POLYSTYRENE FILM CAPACITOR
⊖	POLYPROPYLENE FILM CAPACITOR
●	SEMICONDUCTIVE CERAMIC CAPACITOR

NOTICE (note1)
 (J)..... JAPAN
 (U)..... U. S. A
 (C)..... CANADA
 (R)..... GENERAL
 (T)..... CHINA
 (K)..... KOREA
 (A)..... AUSTRALIA
 (B)..... BRITISH
 (G)..... EUROPE
 (L)..... SINGAPORE



VOLTAGE SELECTOR

240V	1-2-5-6
220V	2-3-6-7
110V	3-4-7-8
120V	4-5-8-1

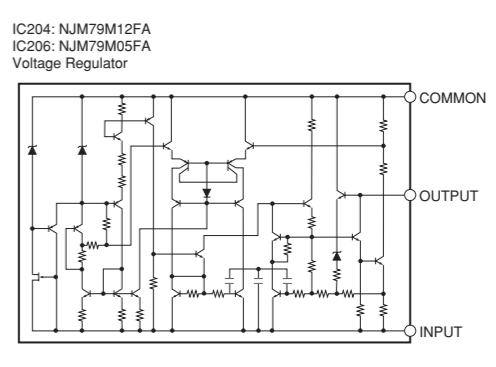
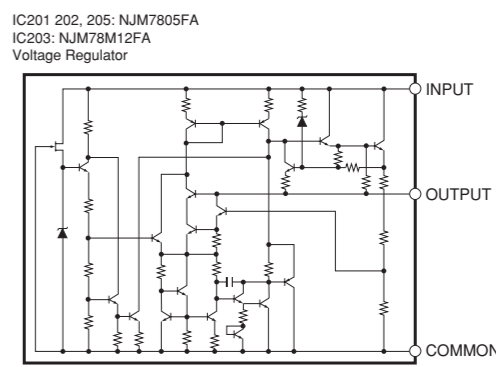


	DSP-AX1300		RX-V1300		RX-V1300RDS		HTR-5590	
	JLC	UCC	JLC	UCC	JLC	UCC	JLC	UCC
S1	R209	x	HF5010	HF5010	HF5010	HF5010	HF5010	HF5010
S2	R235	x	1000/6-3	1000/6-3	1000/6-3	1000/6-3	1000/6-3	1000/6-3
S3	R243	x	47K	47K	47K	47K	47K	47K
S4	R207	x	25C1800A	25C1800A	25C1800A	25C1800A	25C1800A	25C1800A
S5	Q207	x	MT-09-1A	MT-09-1A	MT-09-1A	MT-09-1A	MT-09-1A	MT-09-1A
S6	Q208	x	MT-09-1A	MT-09-1A	MT-09-1A	MT-09-1A	MT-09-1A	MT-09-1A
S7	S11	x	x	x	x	x	x	x
S8	R201, R202, R203	1/201-0	1/201-0	1/201-0	1/201-0	1/201-0	1/201-0	1/201-0
S9	CB206	x	8395-VH	8395-VH	8395-VH	8395-VH	8395-VH	8395-VH
S10	CB207	x	8495-VH	8495-VH	8495-VH	8495-VH	8495-VH	8495-VH
S11	SW201	x	V7182-30	V7182-30	V7182-30	V7182-30	V7182-30	V7182-30
S12	CB206-CB209	x	x	x	x	x	x	x
S13	R201	x	TA-04-350V	TA-04-350V	TA-04-350V	TA-04-350V	TA-04-350V	TA-04-350V
S14	Q203	x	Y99270	Y99270	Y99270	Y99270	Y99270	Y99270
S15	Q204	x	Y99270	Y99270	Y99270	Y99270	Y99270	Y99270
S16	Q205	x	Y99270	Y99270	Y99270	Y99270	Y99270	Y99270
S17	Q206	x	Y99270	Y99270	Y99270	Y99270	Y99270	Y99270
S18	Q207	x	Y99270	Y99270	Y99270	Y99270	Y99270	Y99270
S19	Q208	x	Y99270	Y99270	Y99270	Y99270	Y99270	Y99270
S20	Q209	x	Y99270	Y99270	Y99270	Y99270	Y99270	Y99270
S21	Q210	x	Y99270	Y99270	Y99270	Y99270	Y99270	Y99270
S22	Q211	x	Y99270	Y99270	Y99270	Y99270	Y99270	Y99270
S23	Q212	x	Y99270	Y99270	Y99270	Y99270	Y99270	Y99270
S24	Q213	x	Y99270	Y99270	Y99270	Y99270	Y99270	Y99270
S25	Q214	x	Y99270	Y99270	Y99270	Y99270	Y99270	Y99270
S26	Q215	x	Y99270	Y99270	Y99270	Y99270	Y99270	Y99270
S27	Q216	x	Y99270	Y99270	Y99270	Y99270	Y99270	Y99270
S28	Q217	x	Y99270	Y99270	Y99270	Y99270	Y99270	Y99270
S29	Q218	x	Y99270	Y99270	Y99270	Y99270	Y99270	Y99270
S30	Q219	x	Y99270	Y99270	Y99270	Y99270	Y99270	Y99270
S31	Q220	x	Y99270	Y99270	Y99270	Y99270	Y99270	Y99270
S32	Q221	x	Y99270	Y99270	Y99270	Y99270	Y99270	Y99270
S33	Q222	x	Y99270	Y99270	Y99270	Y99270	Y99270	Y99270
S34	Q223	x	Y99270	Y99270	Y99270	Y99270	Y99270	Y99270
S35	Q224	x	Y99270	Y99270	Y99270	Y99270	Y99270	Y99270
S36	Q225	x	Y99270	Y99270	Y99270	Y99270	Y99270	Y99270
S37	Q226	x	Y99270	Y99270	Y99270	Y99270	Y99270	Y99270
S38	Q227	x	Y99270	Y99270	Y99270	Y99270	Y99270	Y99270
S39	Q228	x	Y99270	Y99270	Y99270	Y99270	Y99270	Y99270
S40	Q229	x	Y99270	Y99270	Y99270	Y99270	Y99270	Y99270
S41	Q230	x	Y99270	Y99270	Y99270	Y99270	Y99270	Y99270
S42	Q231	x	Y99270	Y99270	Y99270	Y99270	Y99270	Y99270
S43	Q232	x	Y99270	Y99270	Y99270	Y99270	Y99270	Y99270
S44	Q233	x	Y99270	Y99270	Y99270	Y99270	Y99270	Y99270
S45	Q234	x	Y99270	Y99270	Y99270	Y99270	Y99270	Y99270
S46	Q235	x	Y99270	Y99270	Y99270	Y99270	Y99270	Y99270
S47	Q236	x	Y99270	Y99270	Y99270	Y99270	Y99270	Y99270
S48	Q237	x	Y99270	Y99270	Y99270	Y99270	Y99270	Y99270
S49	Q238	x	Y99270	Y99270	Y99270	Y99270	Y99270	Y99270
S50	Q239	x	Y99270	Y99270	Y99270	Y99270	Y99270	Y99270
S51	Q240	x	Y99270	Y99270	Y99270	Y99270	Y99270	Y99270
S52	Q241	x	Y99270	Y99270	Y99270	Y99270	Y99270	Y99270
S53	Q242	x	Y99270	Y99270	Y99270	Y99270	Y99270	Y99270
S54	Q243	x	Y99270	Y99270	Y99270	Y99270	Y99270	Y99270
S55	Q244	x	Y99270	Y99270	Y99270	Y99270	Y99270	Y99270
S56	Q245	x	Y99270	Y99270	Y99270	Y99270	Y99270	Y99270
S57	Q246	x	Y99270	Y99270	Y99270	Y99270	Y99270	Y99270
S58	Q247	x	Y99270	Y99270	Y99270	Y99270	Y99270	Y99270
S59	Q248	x	Y99270	Y99270	Y99270	Y99270	Y99270	Y99270
S60	Q249	x	Y99270	Y99270	Y99270	Y99270	Y99270	Y99270
S61	Q250	x	Y99270	Y99270	Y99270	Y99270	Y99270	Y99270
S62	Q251	x	Y99270	Y99270	Y99270	Y99270	Y99270	Y99270
S63	Q252	x	Y99270	Y99270	Y99270	Y99270	Y99270	Y99270

x: NOT USED
 o: USED / APPLICABLE

Interchangeable Parts at Manufacture-Stage

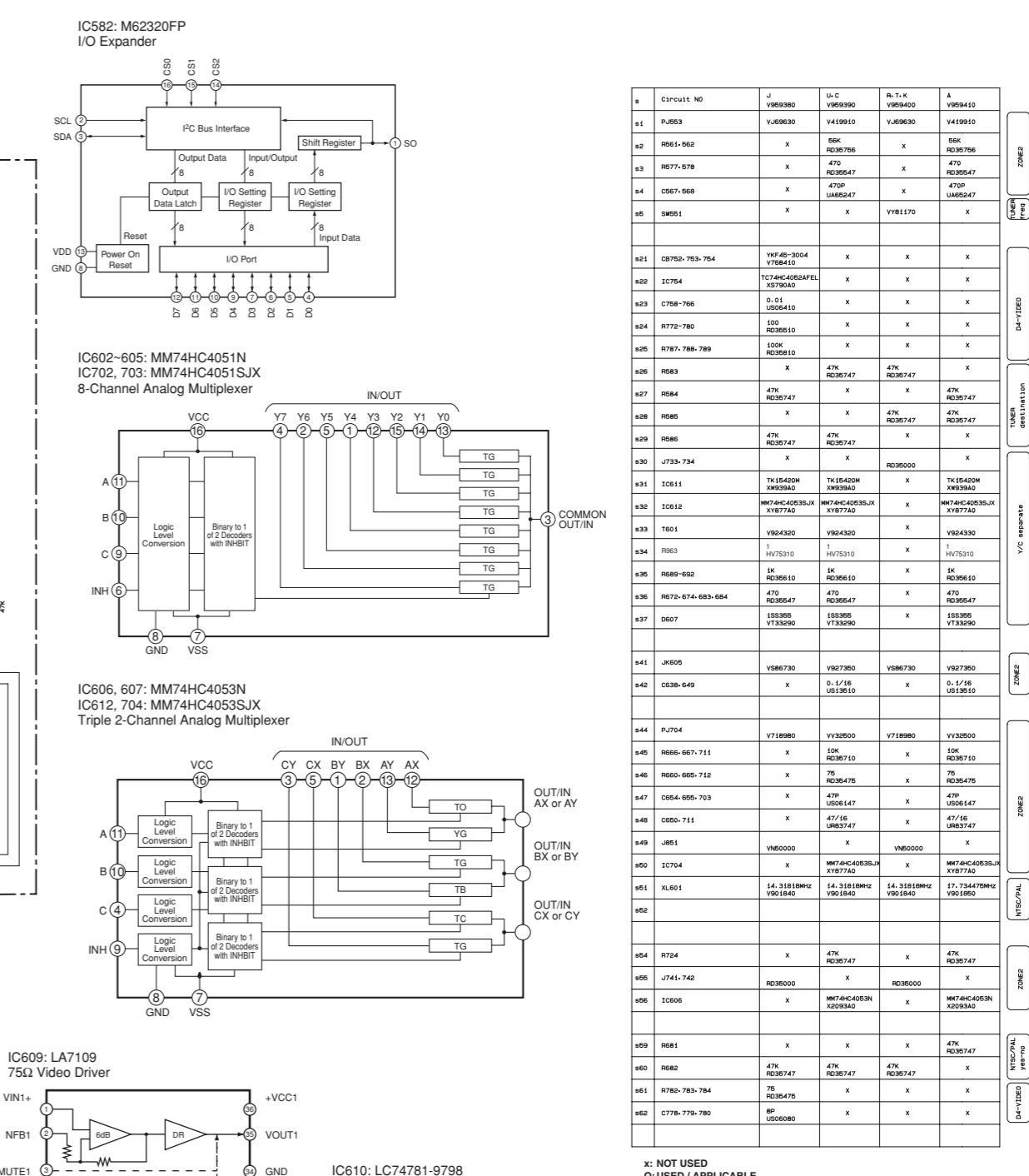
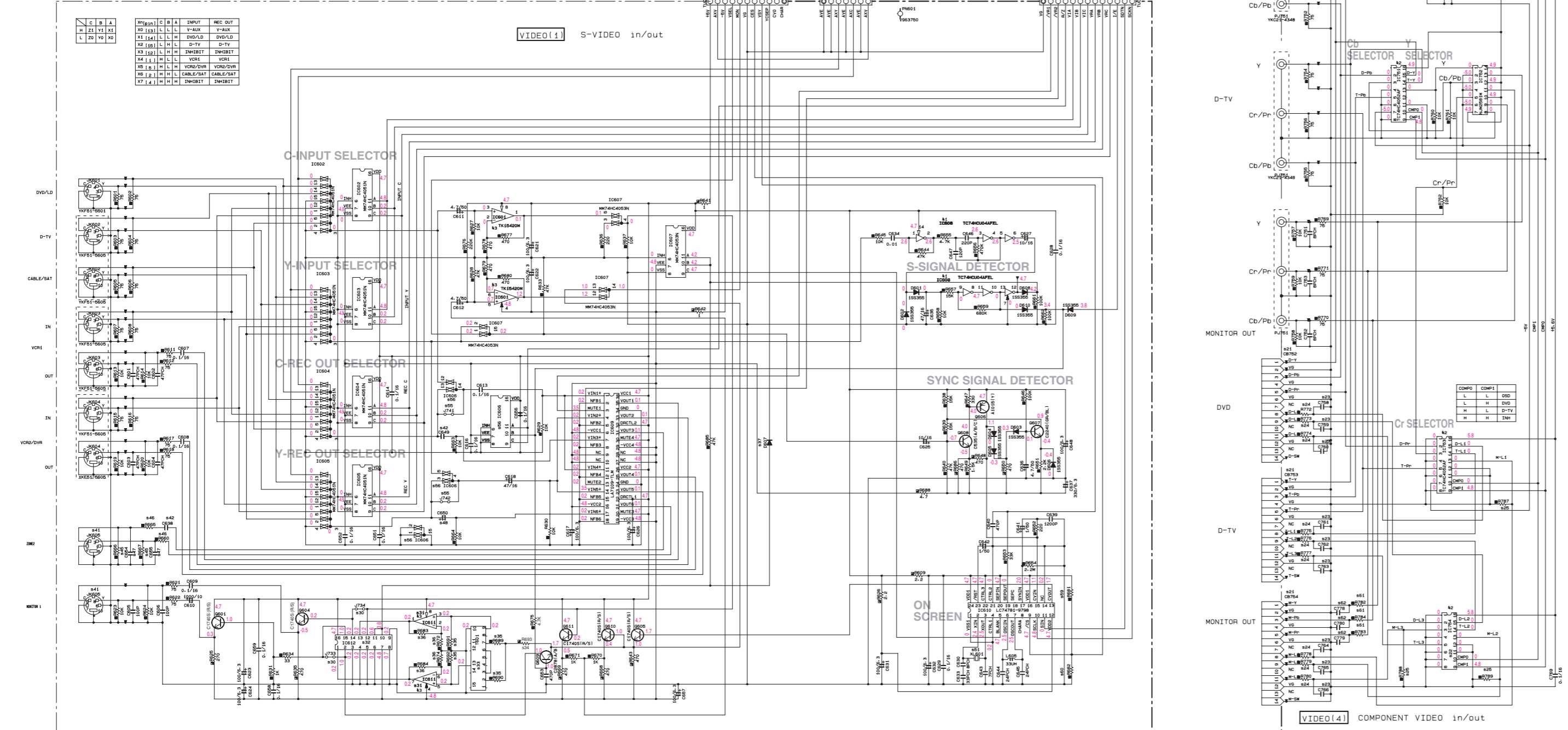
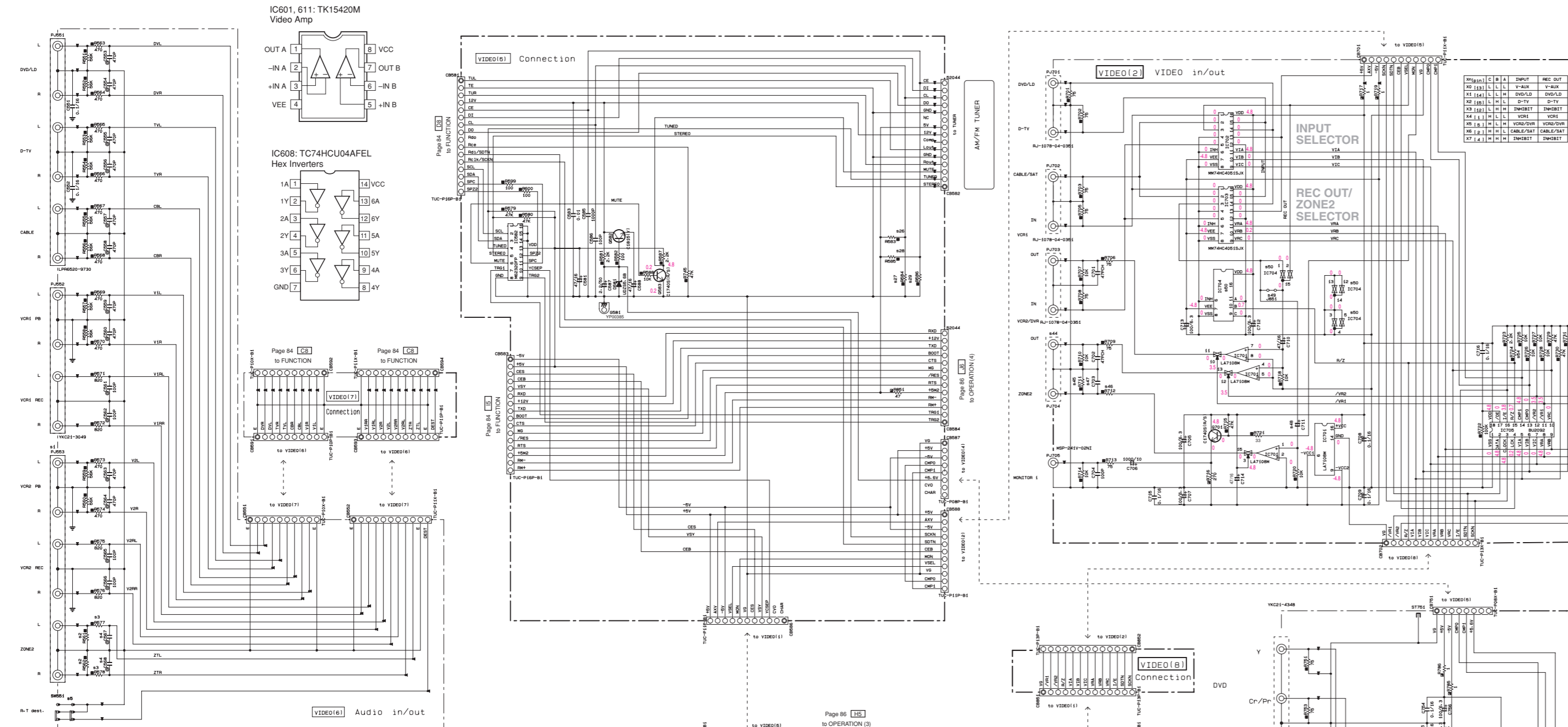
Max. Reference Parts Number	Parts Name
S1	IC204 NJM7M12FA AN78M12F
S2	IC206 NJM7M05FA AN78M05F
S3	IC201, 202, 205 NJM7805FA AN7805F
S4	Q63-66 2SC1740SD1/D1 2SC3314(D/R/S)
S5	D40, 48, 49, 205, 209-211 HS5104 S5513 S5516



★ All voltages are measured with a 10MΩ/V DC electric volt meter.
 ★ Components having special characteristics are marked △ and must be replaced with parts having specifications equal to those originally installed.
 ★ Schematic diagram is subject to change without notice.

● 電圧は、内部抵抗10MΩの電圧計で測定したものです。
 ● △印のある部品は、安全性確保部品を示しています。部品の交換が必要な場合、パーツリストに記載されている部品を使用してください。
 ● 本回路図は標準回路図です。改良のため予告なく変更することがございます。

SCHEMATIC DIAGRAM (VIDEO) RX-V2300/DSP-AX-2300



IC	Part No.	Symbol	U.C.	R.T.K.	A
1	IC101	U1	X	X	X
2	IC102	U2	X	X	X
3	IC103	U3	X	X	X
4	IC104	U4	X	X	X
5	IC105	U5	X	X	X
6	IC106	U6	X	X	X
7	IC107	U7	X	X	X
8	IC108	U8	X	X	X
9	IC109	U9	X	X	X
10	IC110	U10	X	X	X
11	IC111	U11	X	X	X
12	IC112	U12	X	X	X
13	IC113	U13	X	X	X
14	IC114	U14	X	X	X
15	IC115	U15	X	X	X
16	IC116	U16	X	X	X
17	IC117	U17	X	X	X
18	IC118	U18	X	X	X
19	IC119	U19	X	X	X
20	IC120	U20	X	X	X
21	IC121	U21	X	X	X
22	IC122	U22	X	X	X
23	IC123	U23	X	X	X
24	IC124	U24	X	X	X
25	IC125	U25	X	X	X
26	IC126	U26	X	X	X
27	IC127	U27	X	X	X
28	IC128	U28	X	X	X
29	IC129	U29	X	X	X
30	IC130	U30	X	X	X
31	IC131	U31	X	X	X
32	IC132	U32	X	X	X
33	IC133	U33	X	X	X
34	IC134	U34	X	X	X
35	IC135	U35	X	X	X
36	IC136	U36	X	X	X
37	IC137	U37	X	X	X
38	IC138	U38	X	X	X
39	IC139	U39	X	X	X
40	IC140	U40	X	X	X
41	IC141	U41	X	X	X
42	IC142	U42	X	X	X
43	IC143	U43	X	X	X
44	IC144	U44	X	X	X
45	IC145	U45	X	X	X
46	IC146	U46	X	X	X
47	IC147	U47	X	X	X
48	IC148	U48	X	X	X
49	IC149	U49	X	X	X
50	IC150	U50	X	X	X
51	IC151	U51	X	X	X
52	IC152	U52	X	X	X
53	IC153	U53	X	X	X
54	IC154	U54	X	X	X
55	IC155	U55	X	X	X
56	IC156	U56	X	X	X
57	IC157	U57	X	X	X
58	IC158	U58	X	X	X
59	IC159	U59	X	X	X
60	IC160	U60	X	X	X
61	IC161	U61	X	X	X
62	IC162	U62	X	X	X
63	IC163	U63	X	X	X
64	IC164	U64	X	X	X
65	IC165	U65	X	X	X
66	IC166	U66	X	X	X
67	IC167	U67	X	X	X
68	IC168	U68	X	X	X
69	IC169	U69	X	X	X
70	IC170	U70	X	X	X
71	IC171	U71	X	X	X
72	IC172	U72	X	X	X
73	IC173	U73	X	X	X
74	IC174	U74	X	X	X
75	IC175	U75	X	X	X
76	IC176	U76	X	X	X
77	IC177	U77	X	X	X
78	IC178	U78	X	X	X
79	IC179	U79	X	X	X
80	IC180	U80	X	X	X
81	IC181	U81	X	X	X
82	IC182	U82	X	X	X
83	IC183	U83	X	X	X
84	IC184	U84	X	X	X
85	IC185	U85	X	X	X
86	IC186	U86	X	X	X
87	IC187	U87	X	X	X
88	IC188	U88	X	X	X
89	IC189	U89	X	X	X
90	IC190	U90	X	X	X
91	IC191	U91	X	X	X
92	IC192	U92	X	X	X
93	IC193	U93	X	X	X
94	IC194	U94	X	X	X
95	IC195	U95	X	X	X
96	IC196	U96	X	X	X
97	IC197	U97	X	X	X
98	IC198	U98	X	X	X
99	IC199	U99	X	X	X
100	IC200	U100	X	X	X

★ All voltages are measured with a 10MΩ/V DC electric volt meter.
 ★ Components having special characteristics are marked **!** and must be replaced with parts having specifications equal to those originally installed.
 ★ Schematic diagram is subject to change without notice.

● 電圧は、内部抵抗10MΩの電圧計で測定したものです。
 ● !印のある部品は、安全性確保部品を示しています。部品の交換が必要な場合、パーツリストに記載されている部品を使用してください。
 ● 本回路図は標準回路図です。改良のため予告なく変更することがございます。

RESISTOR
 DEMANDS PARTS NAME
 NO. NAME ELECTROLYTIC CAPACITOR (P10)
 CARBON FILM RESISTOR (P10)
 METAL OXIDE FILM RESISTOR
 METAL FILM RESISTOR
 POLYESTER FILM CAPACITOR
 FUSE PROOF CARBON FILM RESISTOR
 CERAMIC MOLDED RESISTOR
 DIELECTRIC MOLDED RESISTOR
 CHIP RESISTOR

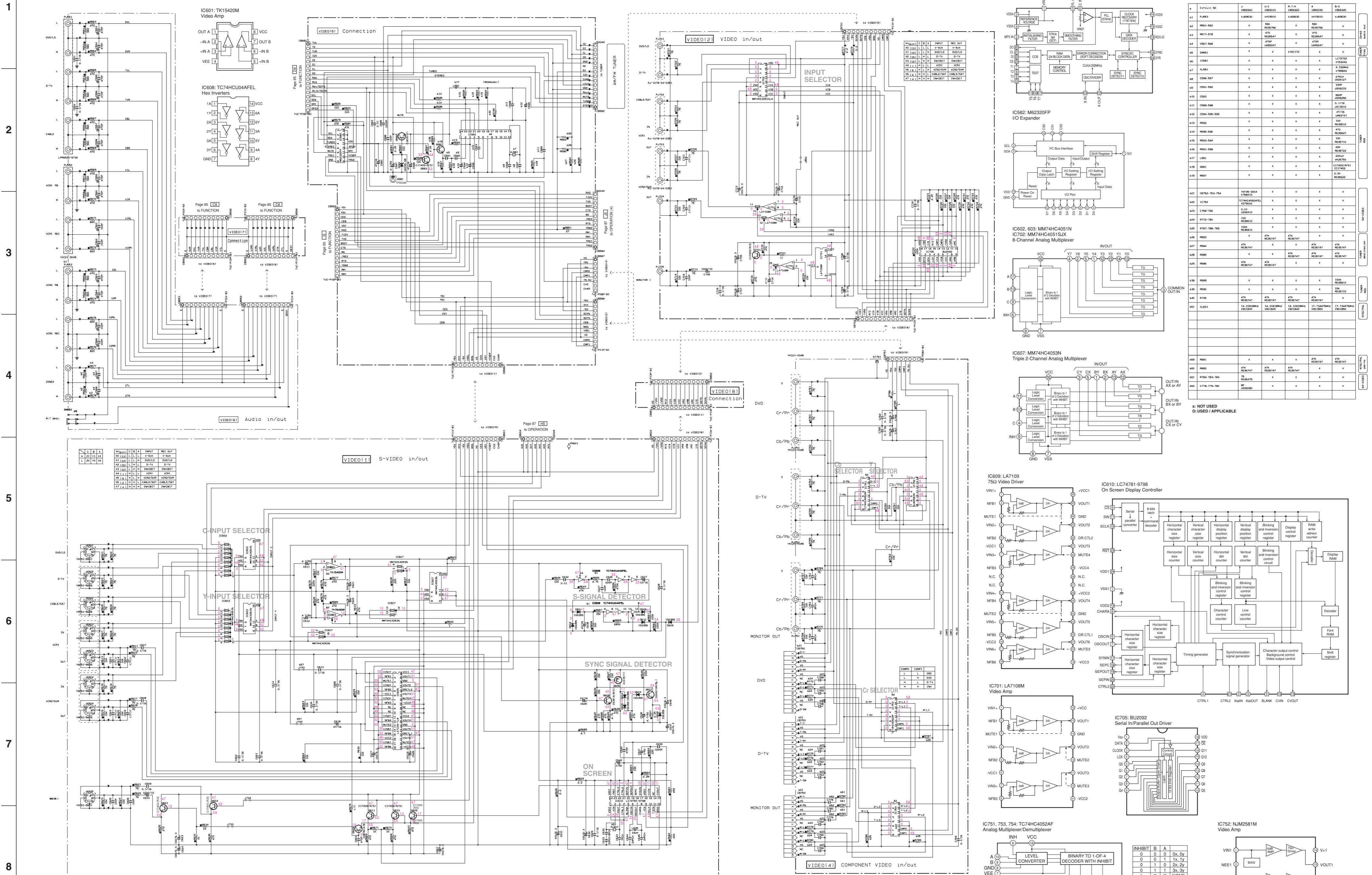
CAPACITOR
 DEMANDS PARTS NAME
 NO. NAME ELECTROLYTIC CAPACITOR
 TANTALUM CAPACITOR
 POLYESTER FILM CAPACITOR
 POLYPROPYLENE FILM CAPACITOR
 POLYETHYLENE TEREPHTHALATE FILM CAPACITOR
 POLYBUTYLENE TEREPHTHALATE FILM CAPACITOR
 POLYVINYLIDENE FLUORIDE FILM CAPACITOR
 SEMICONDUCTIVE CERAMIC CAPACITOR

Interchangeable Parts at Manufacture Stage
 DEMANDS PARTS NAME
 NO. NAME
 11 10000
 12 10000
 13 10000

NOTICE (note1)
 (1) JAPAN
 (2) U.S.A.
 (3) CANADA
 (4) GENERAL
 (5) CHINA
 (6) KOREA
 (7) AUSTRALIA
 (8) BRITISH
 (9) EUROPE
 (10) SINGAPORE

■ SCHEMATIC DIAGRAM (VIDEO) RX-V1300/RX-V1300RDS/HTR-5590/DSP-AX1300

RX-V2300/DSP-AX2300/RX-V1300/RX-V1300RDS/HTR-5590/DSP-AX1300



IC581: LC72722 RDS Decoder

IC582: M62320FP I/O Expander

IC602: 603: MM74HC4051N IC702: MM74HC4051SX 8-Channel Analog Multiplexer

IC607: MM74HC4053N Triple 2-Channel Analog Multiplexer

IC	Part No.	Manufacturer	Notes
41	IC581	ROHM	LC72722
42	IC582	ROHM	M62320FP
43	IC602	ROHM	MM74HC4051N
44	IC603	ROHM	MM74HC4051SX
45	IC607	ROHM	MM74HC4053N
46	IC609	ROHM	LA7109
47	IC610	ROHM	LC74781-9798
48	IC701	ROHM	LA7108M
49	IC705	ROHM	BU2092
50	IC751	ROHM	TC74HC4052AF

Legend: X: NOT USED, O: USED / APPLICABLE

★ All voltages are measured with a 10MΩ/V DC electric voltmeter.
 ★ Components having special characteristics are marked with a triangle (▲) and must be replaced with parts having specifications equal to those originally installed.
 ★ Schematic diagram is subject to change without notice.

● 電圧は、内部抵抗10MΩの電圧計で測定したものです。
 ● ▲印のある部品は、安全性確保部品を示しています。部品の交換が必要な場合、パーツリストに記載されている部品を使用してください。
 ● 本回路図は標準回路図です。改良のため予告なく変更することがございます。